

Oregon Low Back Bar Stool

Part # BS-LBOR XX+XX

20-0319

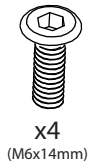
PARTS



A



B



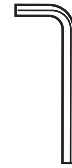
x4
(M6x14mm)

C



x4
(M6)

D

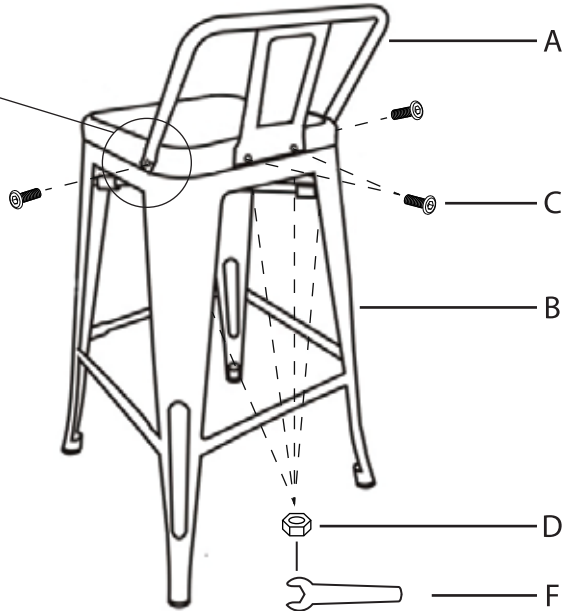
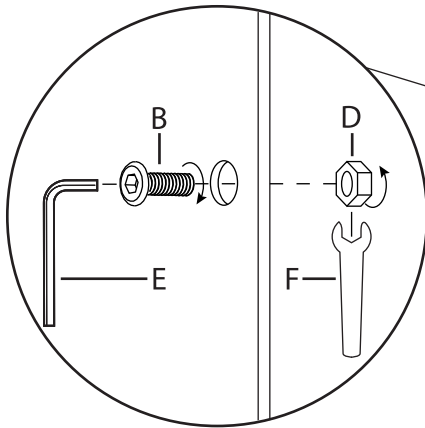


E



F

1



2



Do not over tighten.
 Do not use power tools to assemble.